

THYRA

CT30L ELEVATOR DRIVE

**DEDICATED AC DRIVE FOR ELEVATOR
OPEN LOOP INVERTER SENSORLESS TECHNOLOGY**

380~480V 4kw~37kw

ASYNCHRONOUS MOTOR CONTROL APPLICABLE

VECTOR CONTROL/VF CONTROL OPEN LOOP CONTROL



Safety and reliability

- RS485 Serial line
- UPS Applicable
- Emergency and Inspection speed are Supported
- Dedicated Control Sequence

Elevator Application Features

- Smooth ride Performance
- Integrated Brake Control
- Default Factory Setting user Friendly
- factory, Gets you Started Quickly
- 4-Independent S-Ramps
- Programmable DC-injection Braking

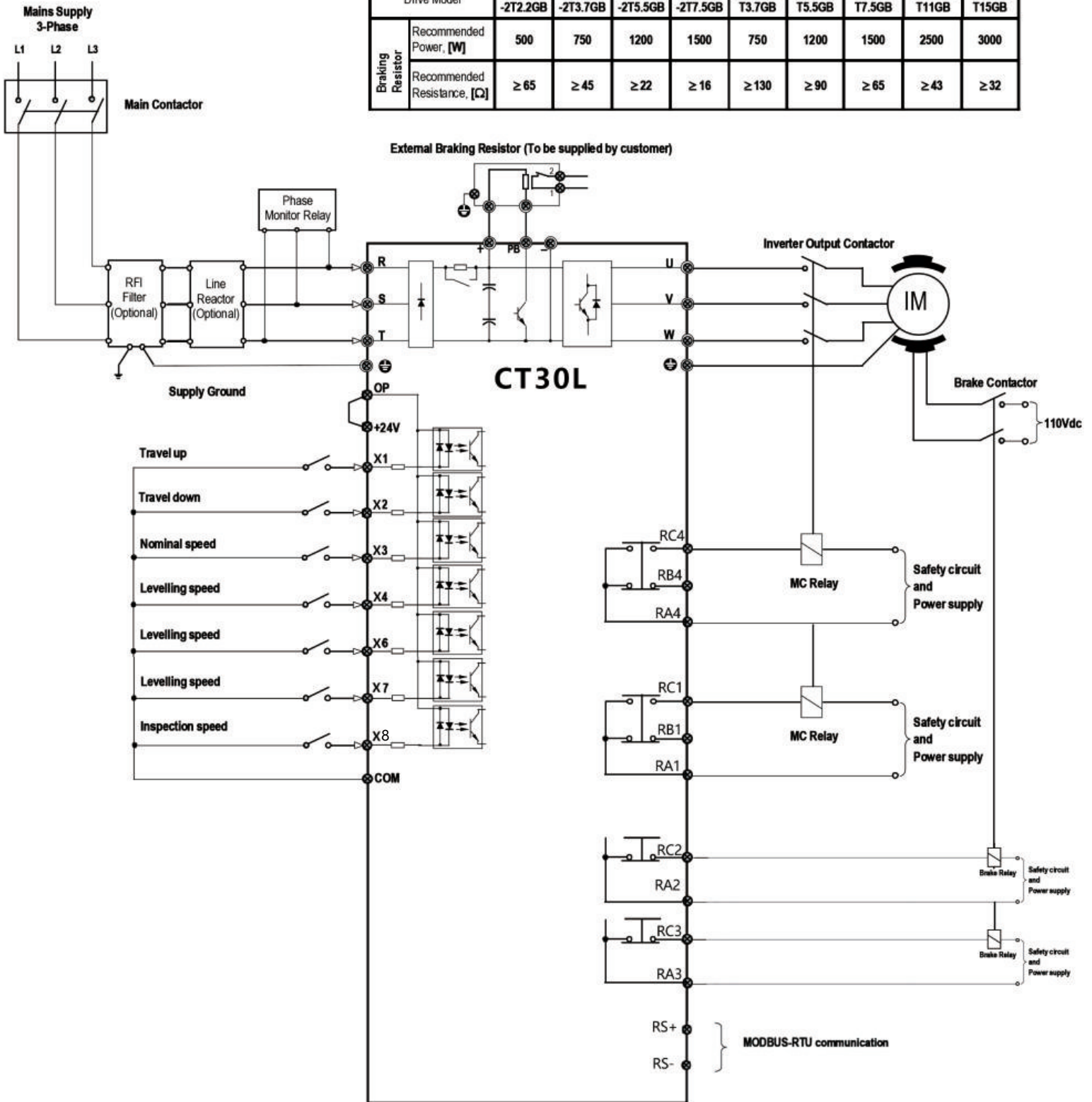
Inverter Key Features

- Simplified Parameter for Easy Start UP
- Comprehensive trip Diagnostics
- Automatic Torque Boost
- Slip Compensation
- Output Frequency 100Hz
- In-Built Dynamic Braking Unit

CONTROL WIRING DIAGRAM

Recommended Braking Resistor

Voltage class		220VAC				380/400/415VAC				
Drive Model		CT30L -2T2.2GB	CT30L -2T3.7GB	CT30L -2T5.5GB	CT30L -2T7.5GB	CT30L T3.7GB	CT30L T5.5GB	CT30L T7.5GB	CT30L T11GB	CT30L T15GB
Braking Resistor	Recommended Power, [W]	500	750	1200	1500	750	1200	1500	2500	3000
	Recommended Resistance, [Ω]	≥ 65	≥ 45	≥ 22	≥ 16	≥ 130	≥ 90	≥ 65	≥ 43	≥ 32



Bencera Resources LLP.

Add:710,Iscon Elegance,
opp Karnavati Club,Next to Shapath -v
S.G ROAD,Ahmedabad-380015.
Tel: + 91 95120 09895/+91 97226 09663
Email: -sales.thyra@gmail.com